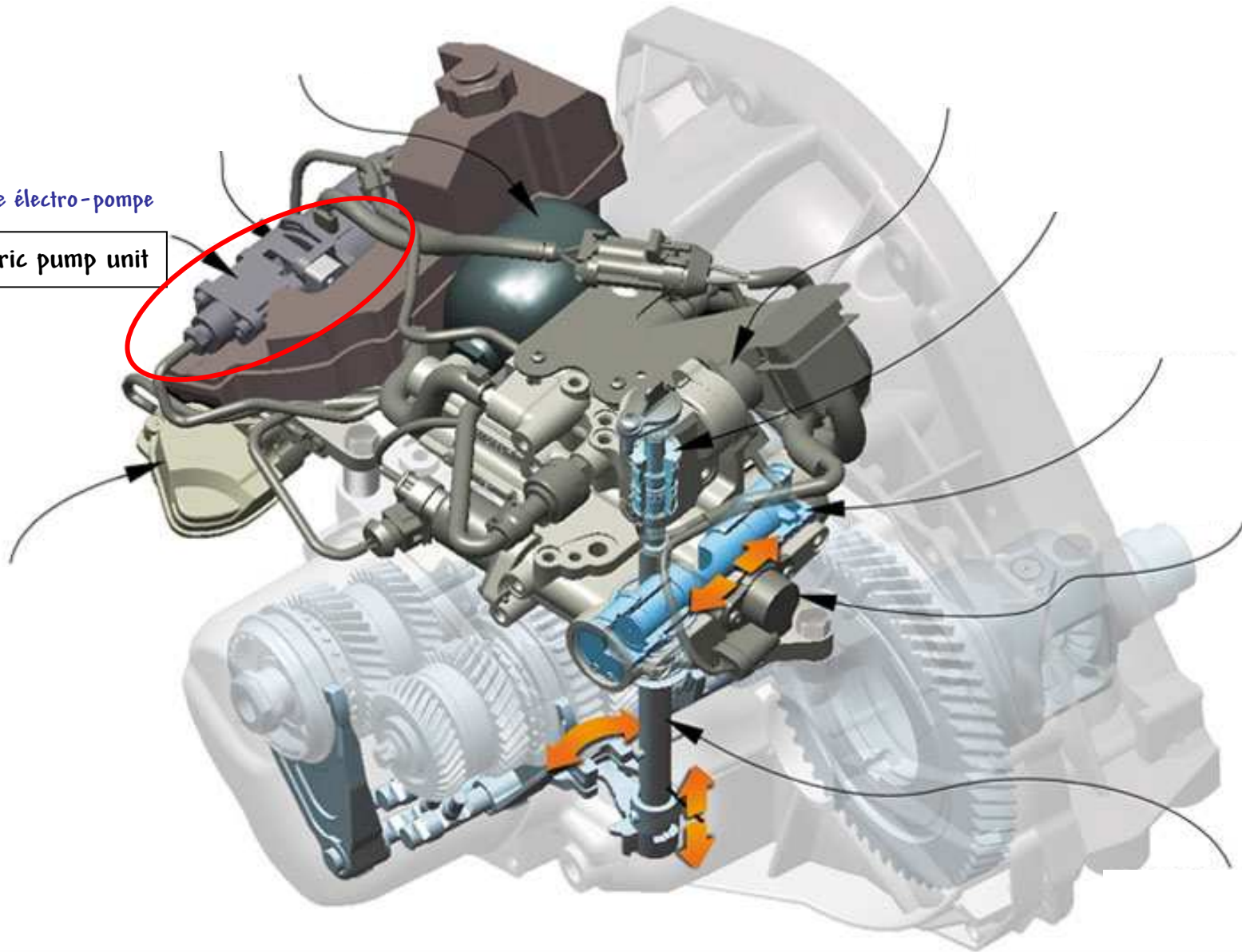


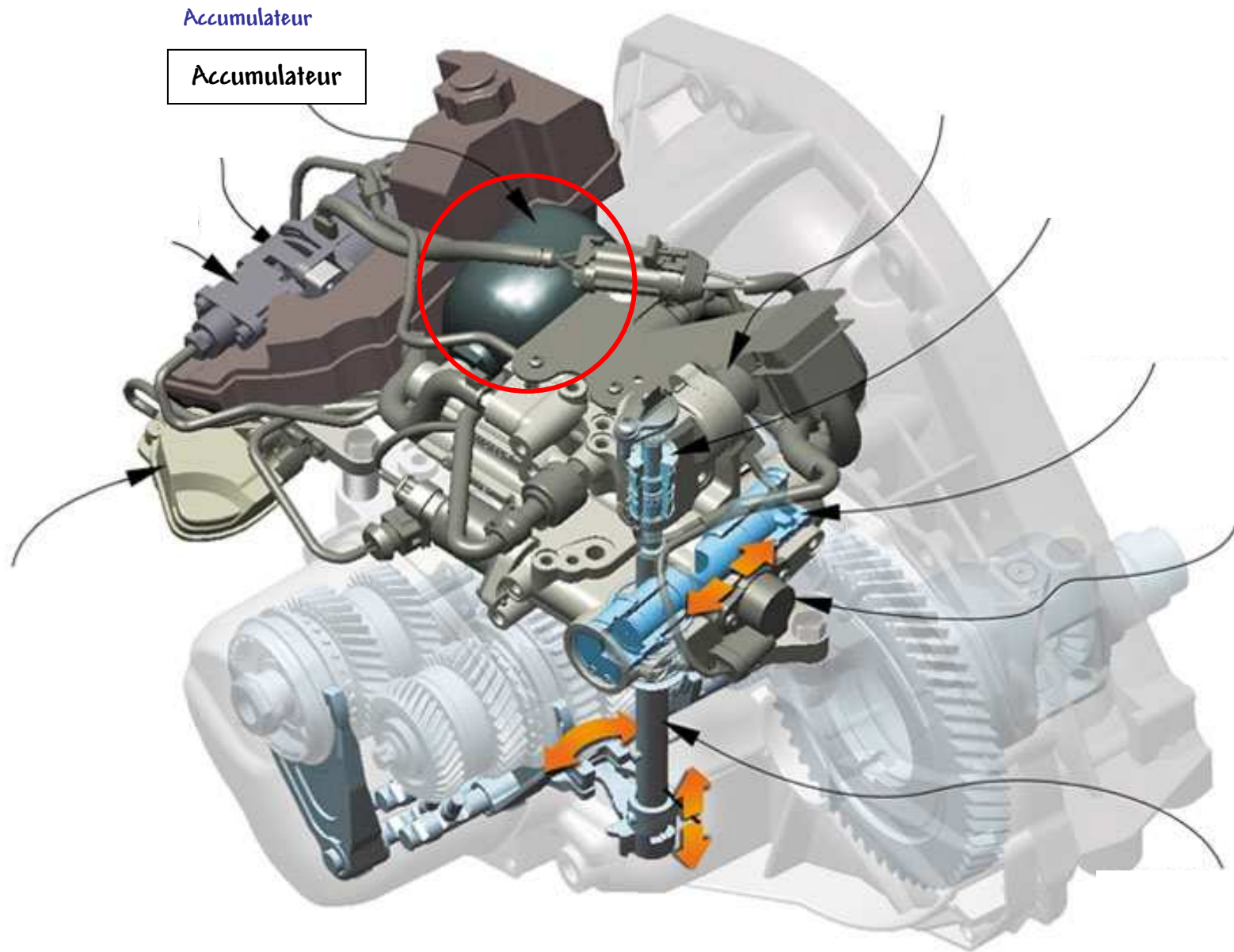
Groupe électro-pompe

Electric pump unit



What product hydropower ?

Philippe Pelourdeau

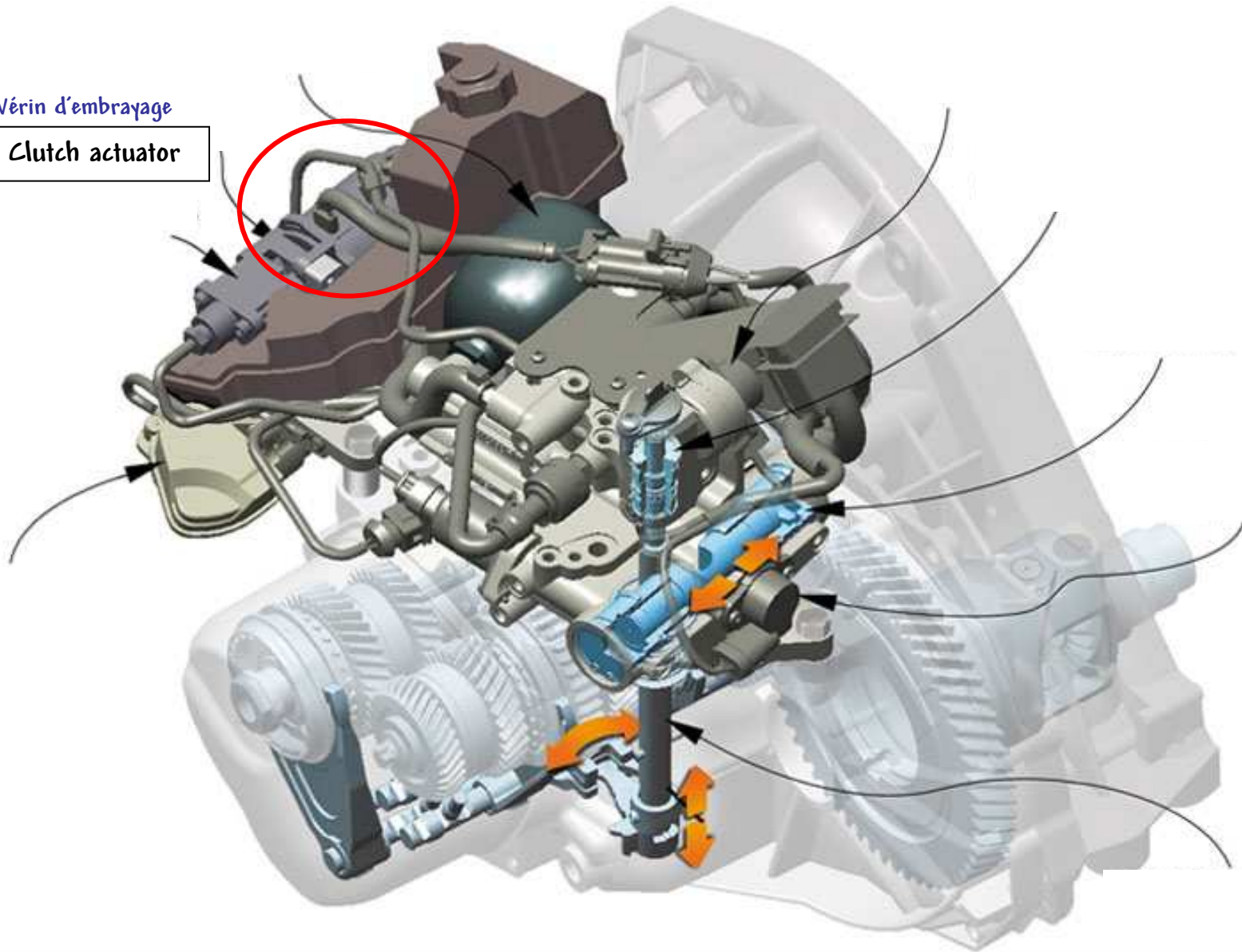


What keeps and stock hydropower ?

Philippe Pelourdeau

Vérin d'embrayage

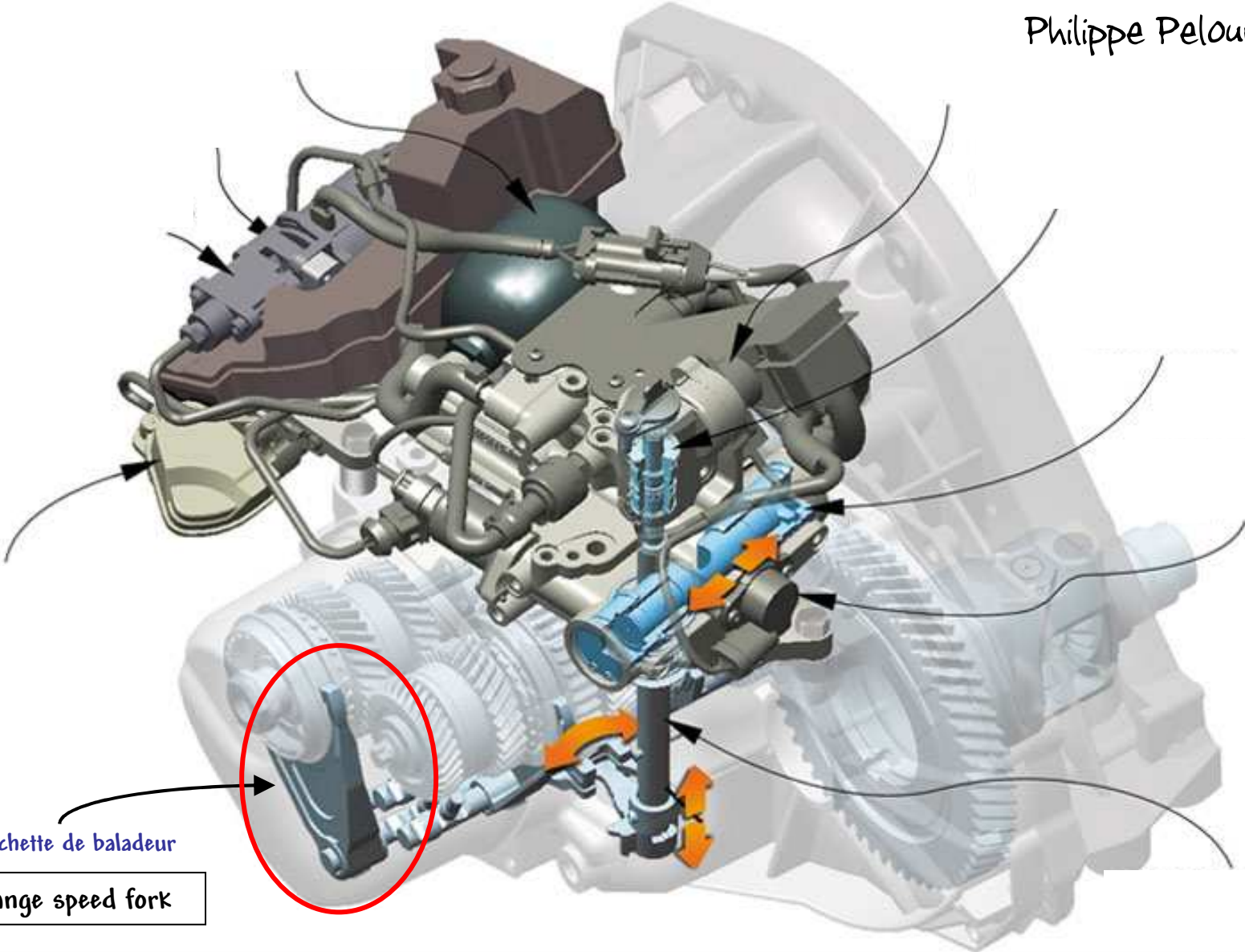
Clutch actuator



It commanded the clutch... It received hydropower...

Philippe Pelourdeau

Philippe Pelourdeau



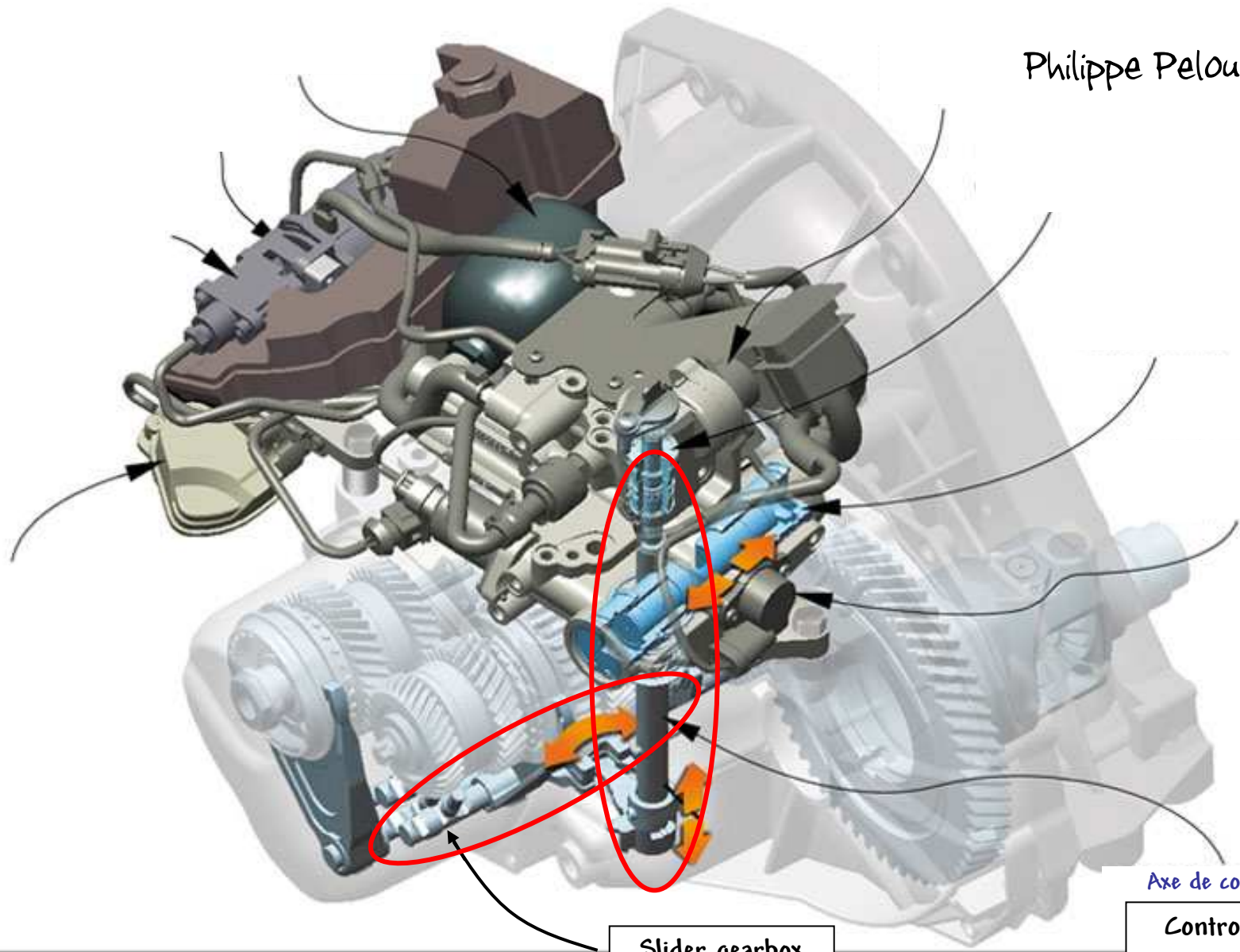
Fourchette de baladeur

Change speed fork

It moves the ring synchronizer...

To allow the passage of the new report...

Philippe Pelourdeau

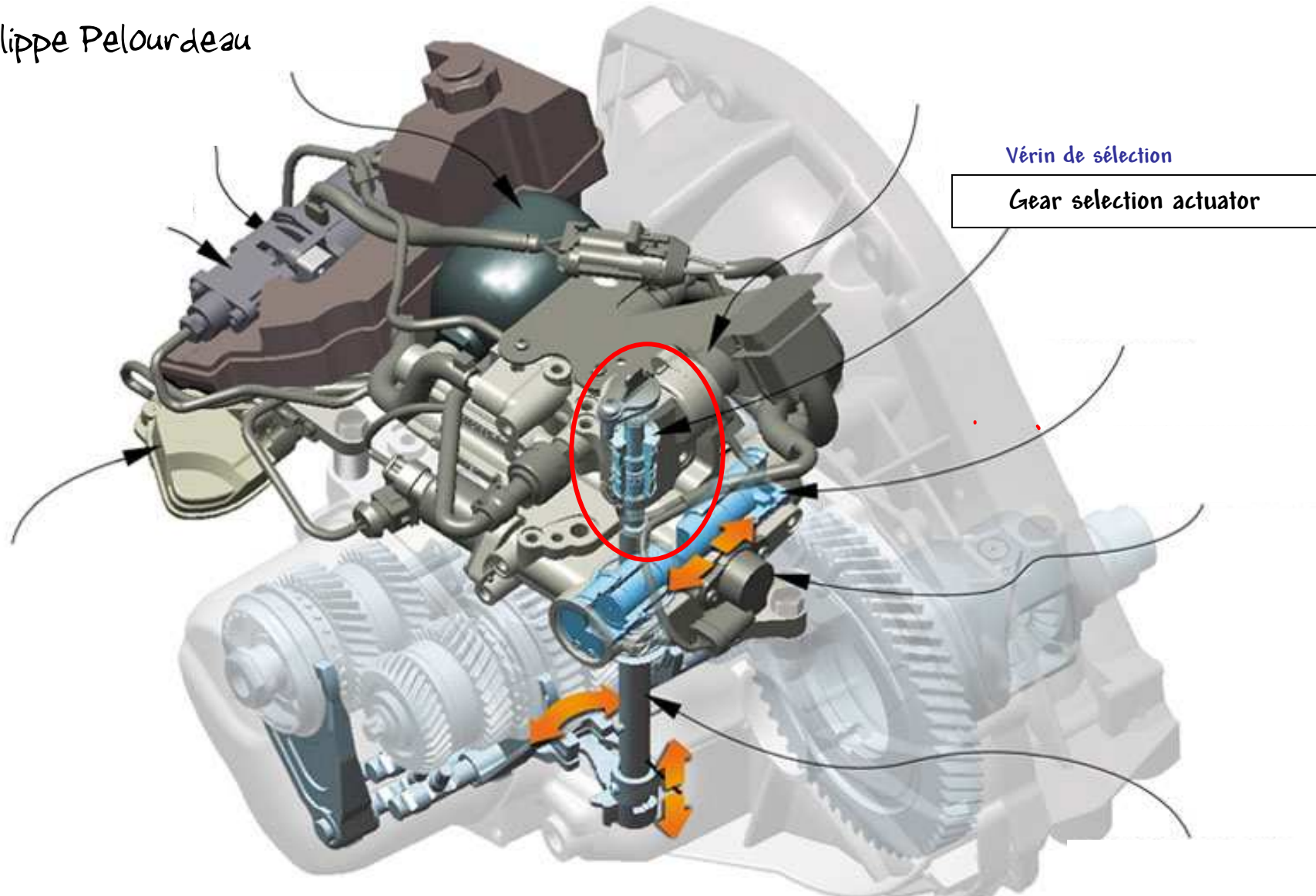


Slider gearbox

Axe de commande
Control shaft

It commanded sliders gearbox...

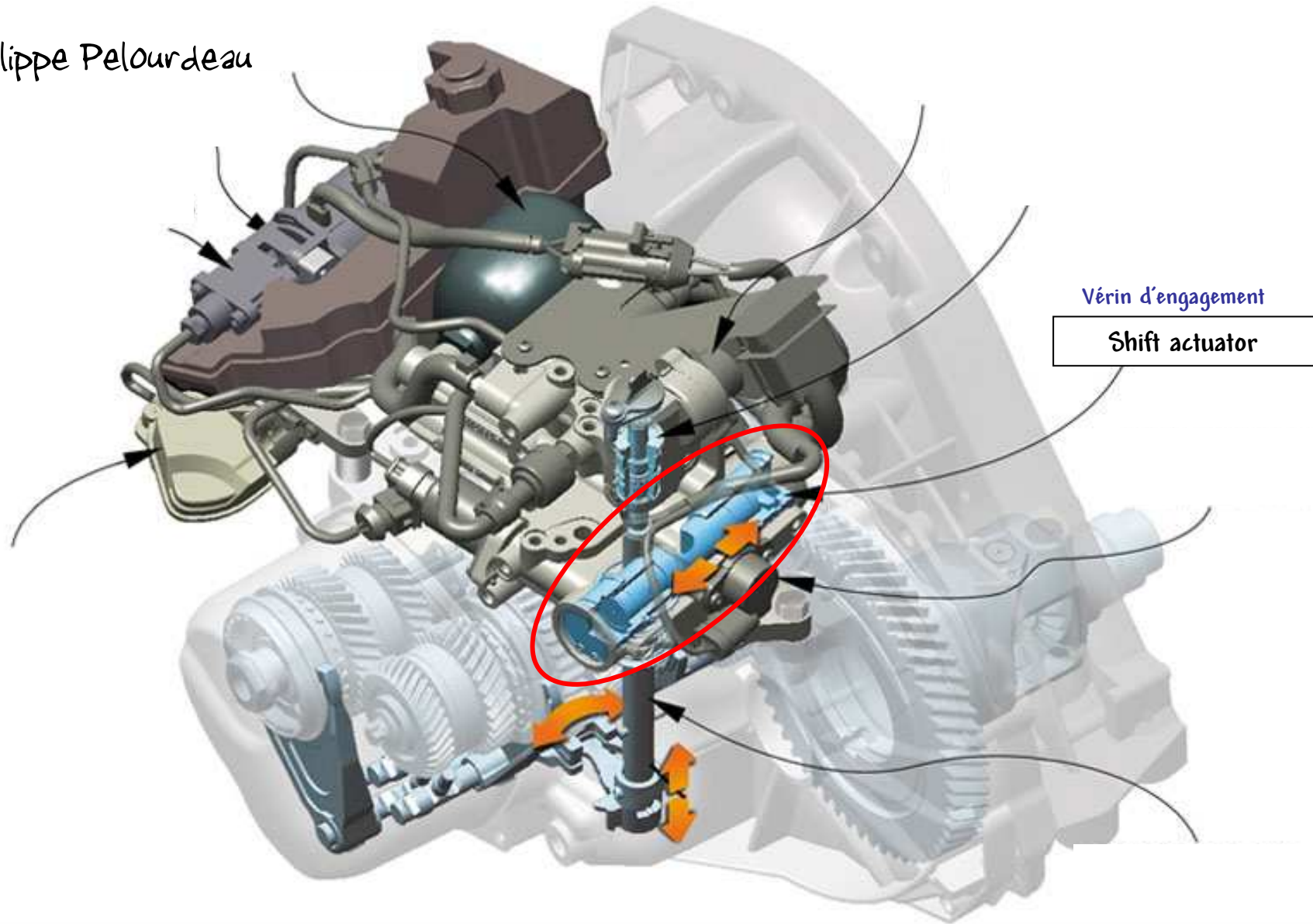
Philippe Pelourdeau



It commanded the selection of various reports ...

It receives hydropower ...

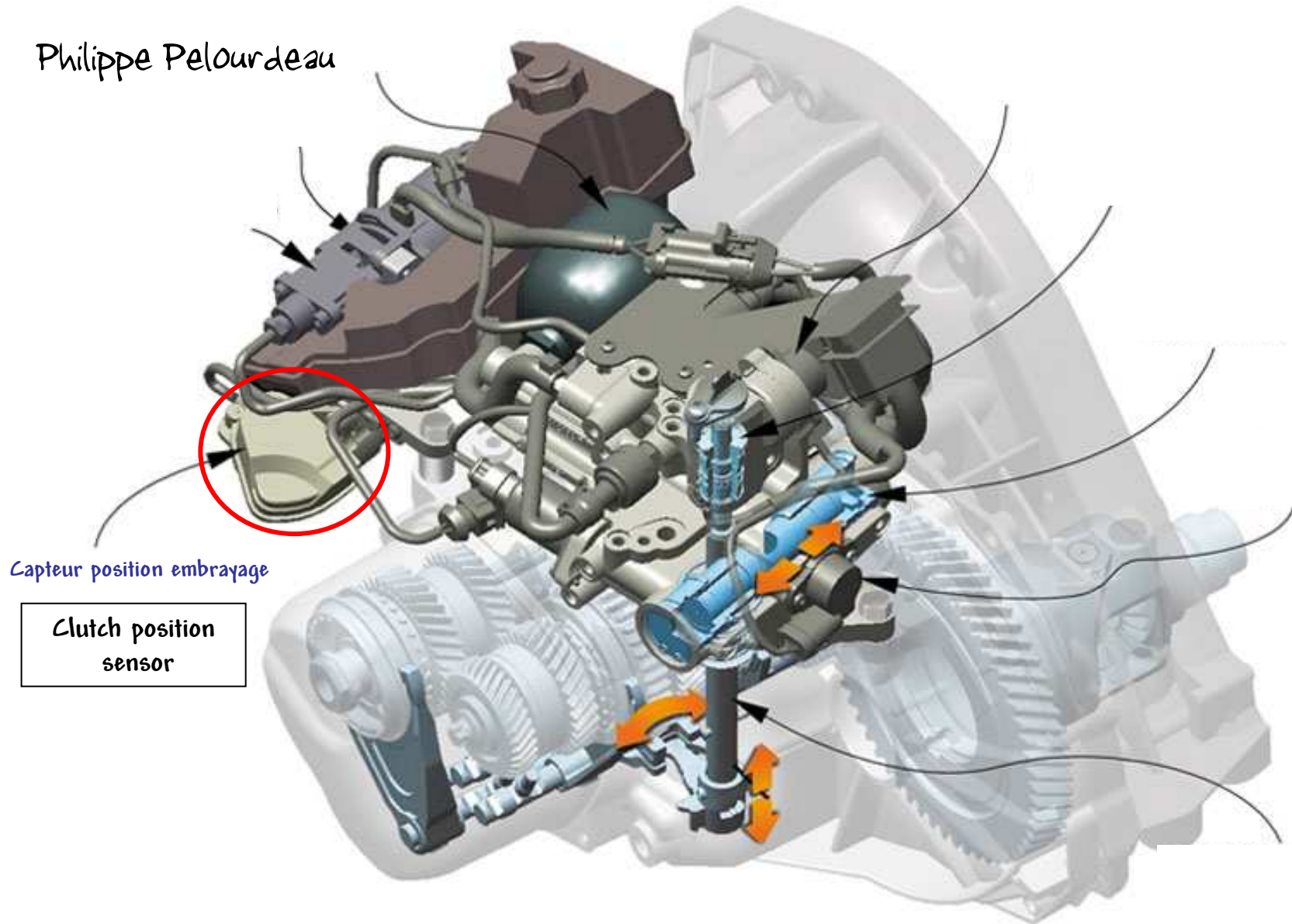
Philippe Pelourdeau



It controls the passage of various reports...

It receives hydropower...

Philippe Pelourdeau



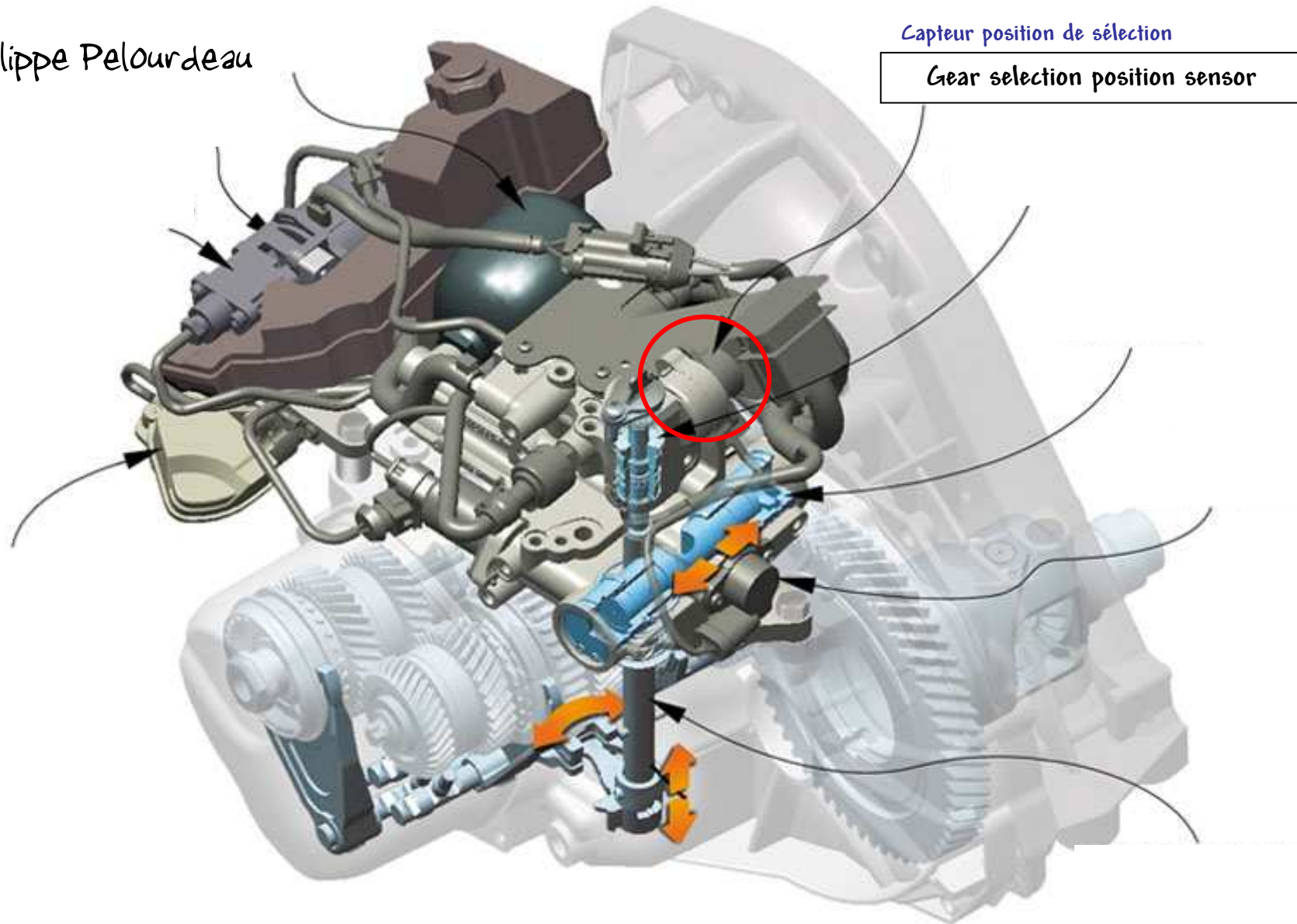
Capteur position embrayage

Clutch position
sensor

It gives information on the position of the clutch...

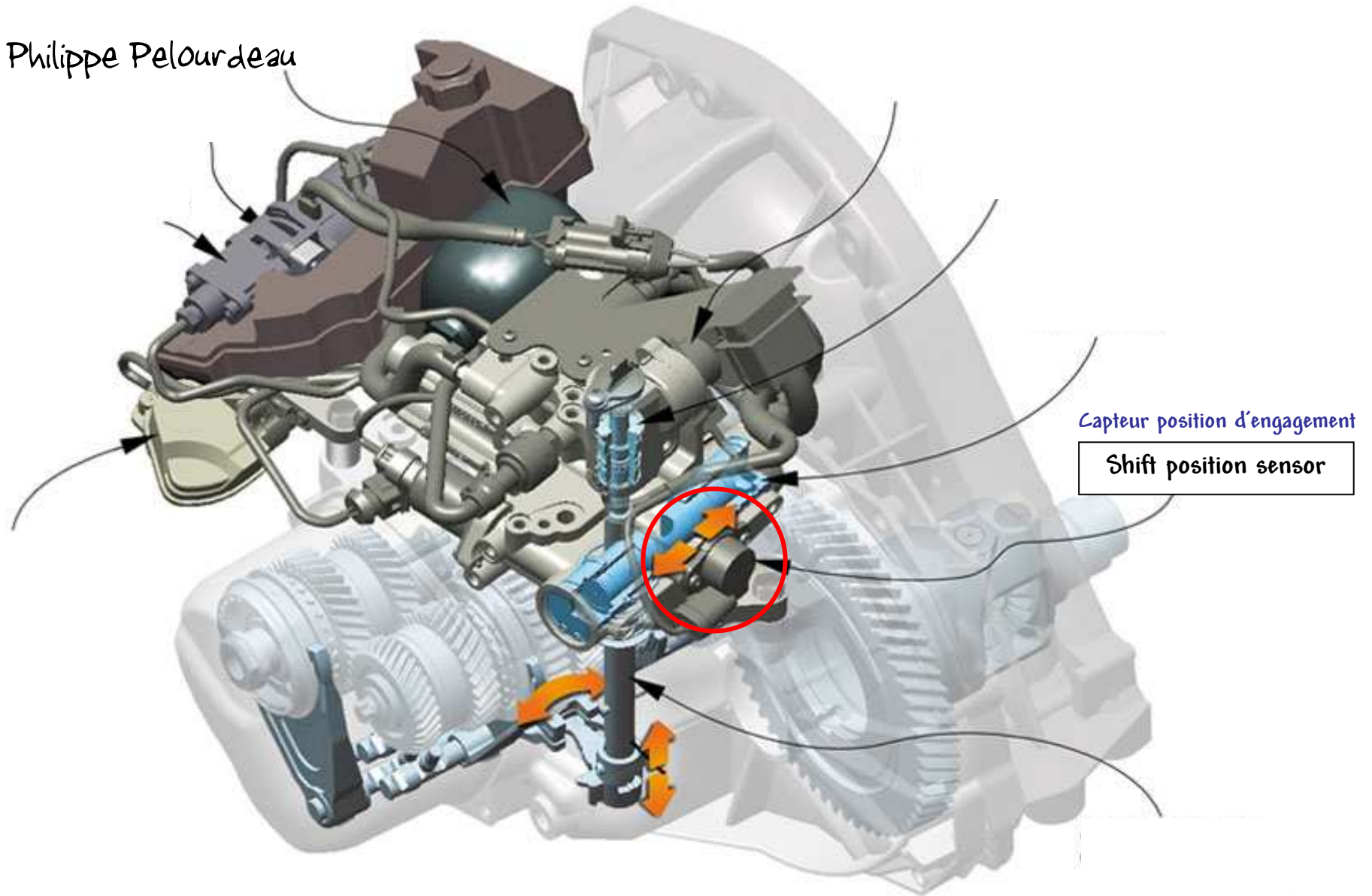
It communicates with the calculator robotic gearbox ...

Philippe Pelourdeau



**It gives information on the position of the gear selection actuator ...
It communicates with the calculator robotized gearbox ...**

Philippe Pelourdeau

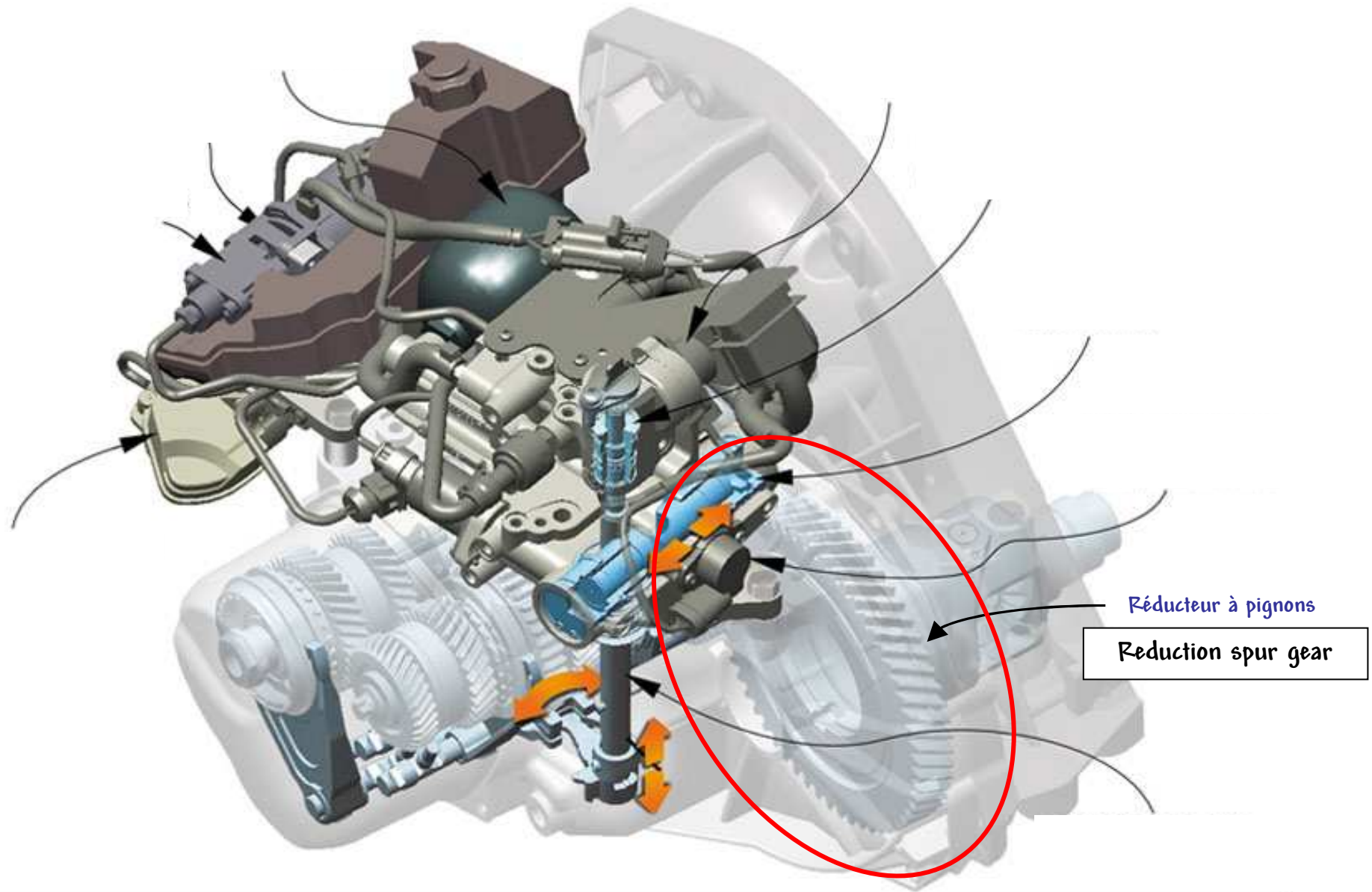


Capteur position d'engagement

Shift position sensor

It gives information on the position of the shift actuator ...

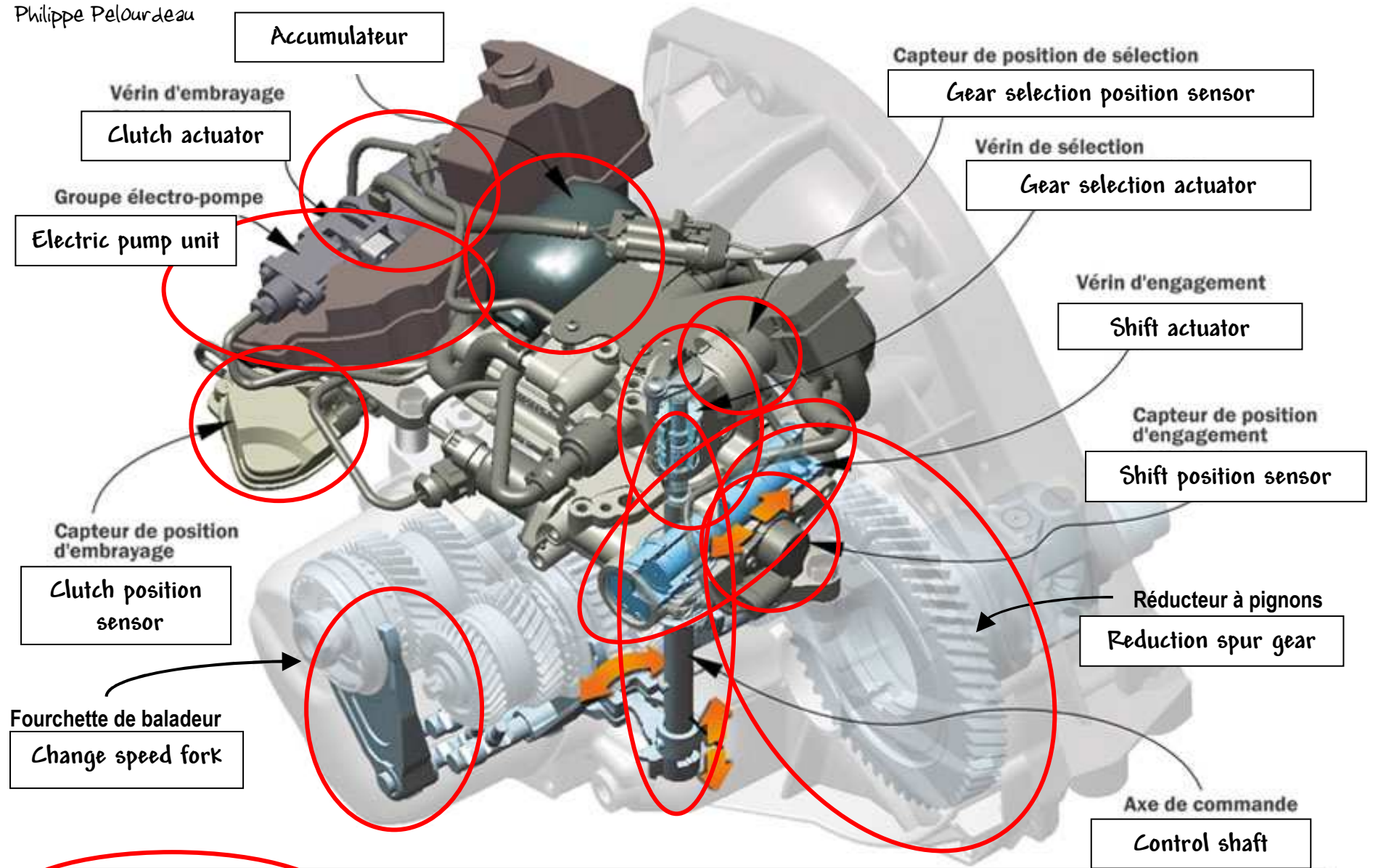
It communicates with the calculator robotic BV ...



It greatly movement ...

Lowers, it reduces the rotational speed of the gearbox. ..

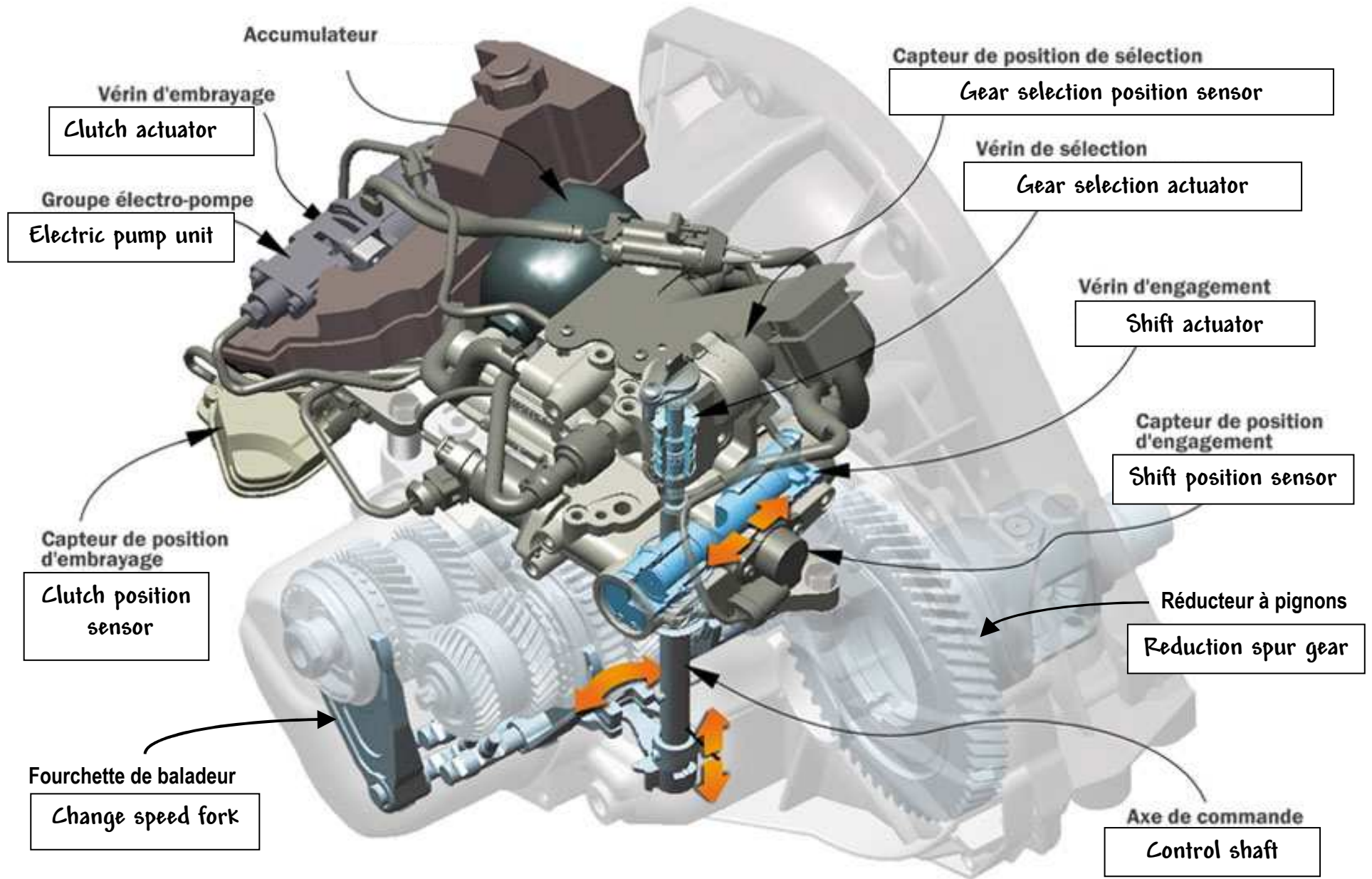
Philippe Pelourdeau



Boîte Quickshift 5

Quickshift Five Gearbox

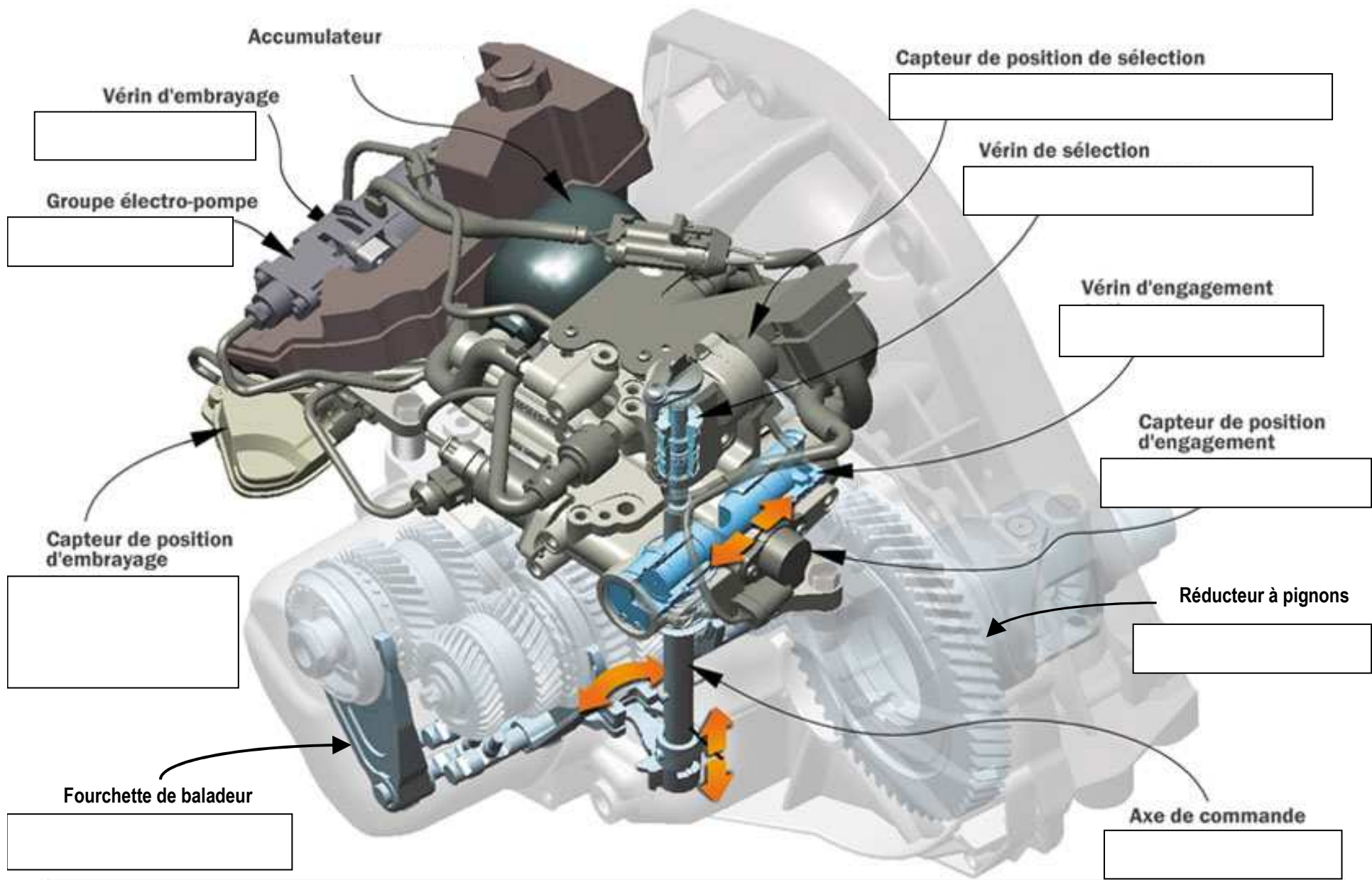
Boîte de vitesses robotisée



Boîte Quickshift 5

Quickshift Five Gearbox

Boîte de vitesses robotisée



Boîte Quickshift 5

Boîte de vitesses robotisée